

## Side Airflow Duct



### Features

- Channels the cold air from the front of the rack into side airflow equipment
- RU mounting allows for easy installation
- The outlet of the duct sits comfortably in the space between the mount rails and side panel
- Modular to fit left or right hand requirements
- Can be mounted with the inlet at the top or bottom
- Can be mounted in bottom RU of SRA racks
- Brushed panel to suit CISCO and Nortel equipment

The front face has a 2RU spacing allowing the cool air to be channelled through the duct and pushed out the side directly into the server. This is essential when using servers which require cooling from side to side.

### Details

All side airflow ducts are manufactured using 1.15mm zinc anneal powdercoated steel.

### Colour (Dulux Part No)

Black  
#90132679

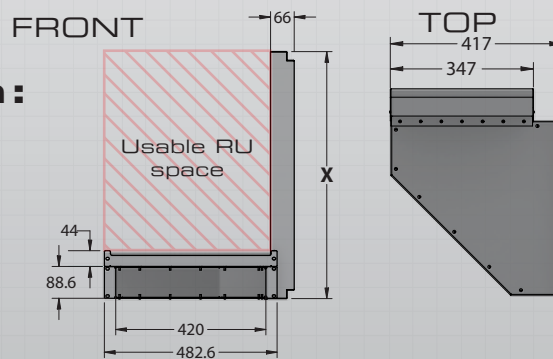


Grey Nurse  
#90137543



### Ordering Information:

	Part No:		
Size X	6RU 379mm	9RU 512mm	13RU 690mm
	800-252354	800-252353	800-252352



All dimensions shown are in mm

★ For more information please contact the sales department

**P** (02) 6298 1855

**E** enquiry@server-racks-australia.com.au

**W** www.server-racks-australia.com.au